



MAINTENANCE TOOLS

Grip screws	
SAS2 Grip HEX screw	3mm
SAS2 Trigger guard HEX screw	2mm
SAS2 Grip TORX screw	T15
SAS2 Trigger guard TORX screw	T8
1911 Grip screw	T10
1911 Competition magwell	3mm
1911 Cesar magwell	4mm
Magazine catch extension button screw	3/32"
1911 Magwell	7/64"
Optic adapters	
TAC 4.25" & 5.0" Cover plate	T8
TAC 4.25" & 5.0" Optic adapter	T10
AXE Cover plate	T10
Optic sights	
MS-3 Mounting Screw	T8
MS-2 Mounting Screw	T10
MS-1 & B.A.O-1 Mounting Screw	T15
Sights	
TAC 4.25" & 5.0" rear sight fixation screw	1/16"
Novak rear sight screw	2mm
Competition adjustable rear sight fixation screw	1.5mm
UL 3.25" adjustable rear sight (cover plate)	T10
Trigger adjustment screw	
Modular trigger over-travel screw	1.3mm
Non modular trigger over-travel screw	1.5mm

SCREWS

Screw Type	SKU	Head	Thread	OAL Length	
SAS 2 TAC RMR & SRO Sight Screw	SCRW/TAC-1	T10	6/32	9.8 mm	
SAS 2 TAC Holosun Sight Screw	-	-	6/32	-	The correct screws are provided with the optic.
AXE Slide Cover Plate Screw	SCRW/AXE-1	T10	4/40	5.5 mm	
AXE Tomahawk RMR & SRO Sight Screw	SCRW/AXE-5	T10	4/40	9 mm	
AXE Tomahawk Holosun 407C/507C/508T screw	SCRW/AXE-1	T10	4/40	5.5 mm	
AXE Tomahawk MS-3 Sight Screw	SCRW/AXE-2	T8	4/40	9.5 mm	
SAS 2 UL 3.25" MS-1 Sight Screw	SCRW/STPL-3	T15	M4	10 mm	
SAS 2 UL 3.25" Holosun Sight Screw	SCRW/HOL-1	2.5 HEX	M4	11.6 mm	Holosun 407K, 507K & EPS Carry (The correct screws are provided with the optic, use the short length ones)
SAS 2 Evo Mount Thumbrest Screw	SCRW/SAS-15	T15	M4	6.5 mm	
SAS 2 Evo Mount RTS - 2 Footprint Screw	-	-	M4		
SAS 2 Evo Mount RMR Footprint Screw	-	-	6/32		(The RMR Footprint Adapter must be used)

SPRINGS

Name	Caliber	Recoil Spring (lbs)	Mainspring (lbs)	Extra recoil springs in box
SAS2 Ultralight 3.25"	9MM	14	15	
SAS2 Ultralight 3.25" Comp	9MM	14	15	
SAS2 SL / SL-SAW / SL-AIR	9MM	11	13	10/12
SAS2 SL / SL-SAW / SL-AIR	0.40S&W	12	13	11/14
SAS2 Radical 5.4"	9MM	9	13	7/10
SAS2 Radical 5.4"	0.40S&W	10	13	9/12
SAS2 TAC 4.25" & 4.25" Comp	9MM	11	13	
SAS2 TAC 5"	9MM	11	13	
SAS2 UR	9MM/.38SUP	9	12	7/10
SAS2 UR Shorty	9MM/.38SUP	9	12	7/10
SAS2 UR-F	9MM/.38SUP	9	12	7/10
SAS2 Bullesteros	9MM/.38SUP	9	12	8/9/10
SAS2 Spike	9MM	11	15	
1911 Ultra	9MM	18	15	
1911 Ultra	45ACP	18	15	
1911 Commander	9MM	11	15	
1911 Commander	45ACP	14	15	
1911 Government - Bushing Barrel / Bull Barrel	9MM	11	15	
1911 Government - Bushing Barrel / Bull Barrel	45ACP	14	15	
1911 EDC 4.25"	9MM	11	15	
1911 EDC 4.25"	9MM	11	15	
1911 EDC 4.25"	45ACP	14	15	
1911 EDC 5"	9MM	11	15	
1911 EDC 5"	45ACP	14	15	
1911 Hunter 6"	9MM	11	15	
1911 Hunter 6"	45ACP	12	15	
1911 Trophy - Bushing Barrel / Bull Barrel	9MM	10	13	9/11
1911 Trophy - Bushing Barrel / Bull Barrel	45ACP	12	13	11/14
1911 Racer - Bushing Barrel / Bull Barrel	9MM	10	13	9/11
1911 Racer - Bushing Barrel / Bull Barrel	0.40S&W	12	13	10/14
1911 Cesar - Bushing Barrel / Bull Barrel	9MM	10	13	9/11
Axe Tomahawk / Cleaver / Hatchet (C / FS)	9mm	16		

HOLSTER COMPATIBILITY

Speed holsters for USPSA & IPSC (all competition models):

- Double Alpha Academy
- CR Speed
- Ghost INC.
- Everglades (MRH)

Race Kydex holsters for USPSA & 3GUN:

- Priority 1 Holsters (TAC & SL models)
- Weber Tactical (TAC & SL models)

EDC and Duty Kydex holster (IWB & OWB):

- Tier 1 Concealed (TAC models, UL & UL-COMP)
- Priority 1 Holsters (TAC & UL models)
- QVO Tactical (UL-COMP)
- Deep Concealment Holsters (UL & UL-COMP)
- 12/21 Designs (UL & UL-COMP)
- TR Holsters (TAC & SL models)
- Weber Tactical (TAC & SL models)

Holsters for Axe pistols:

- Priority 1 Holsters
- LAS Concealment
- Bravo Concealment
- TXC Holsters
- T Rex Arms
- Bladetech
- Tenicor
- Safariland
- Ghost INC.

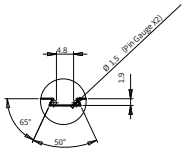
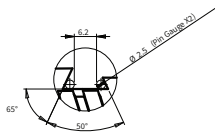
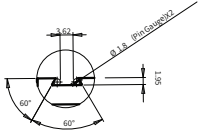
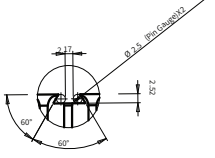
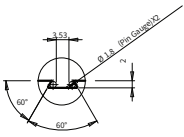
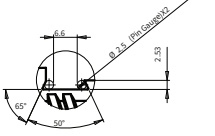
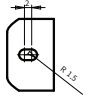
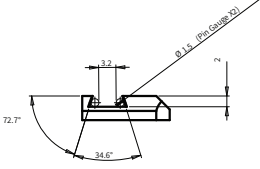
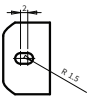
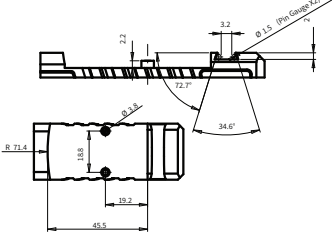
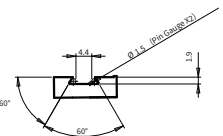
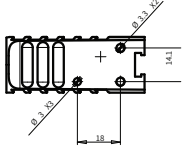
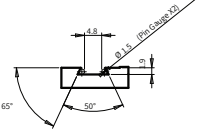
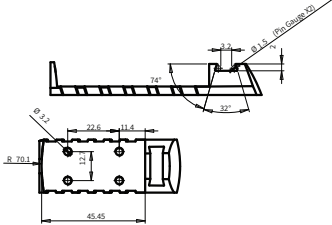
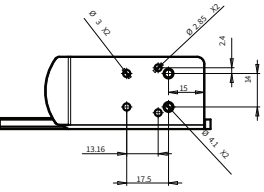
-Most Glock holsters will accommodate the Axe, but open ended holsters work best.

-Weapon light holsters for Glocks will work 100% with the Axe & the specific light the holster was made for.

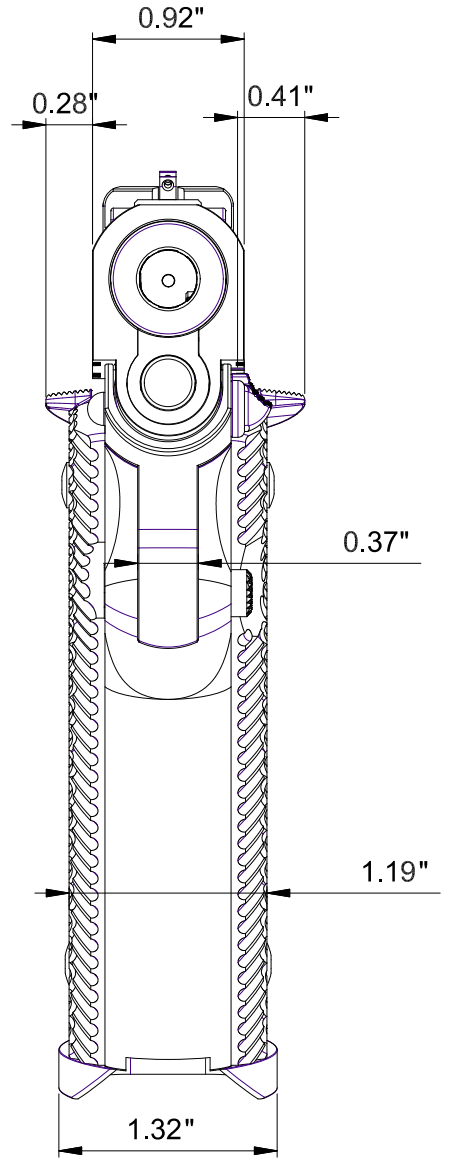
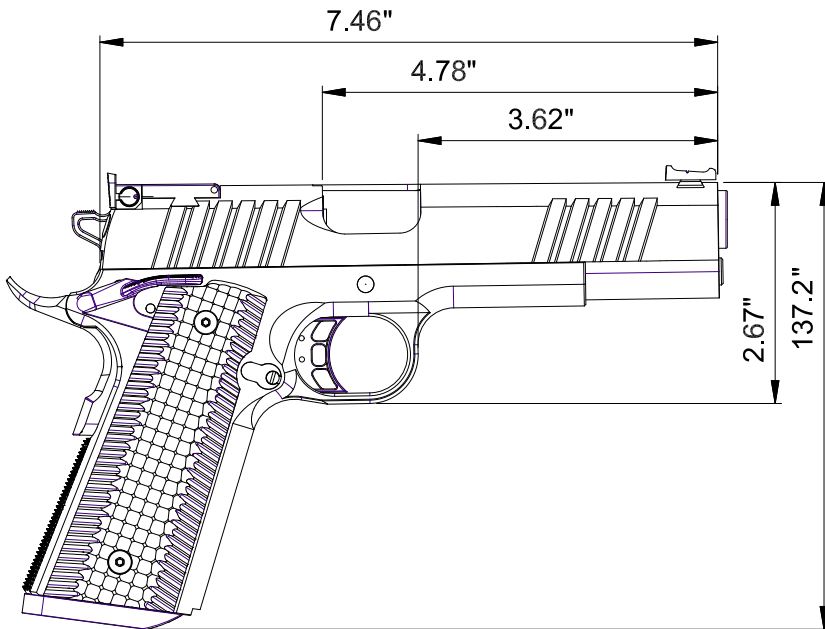
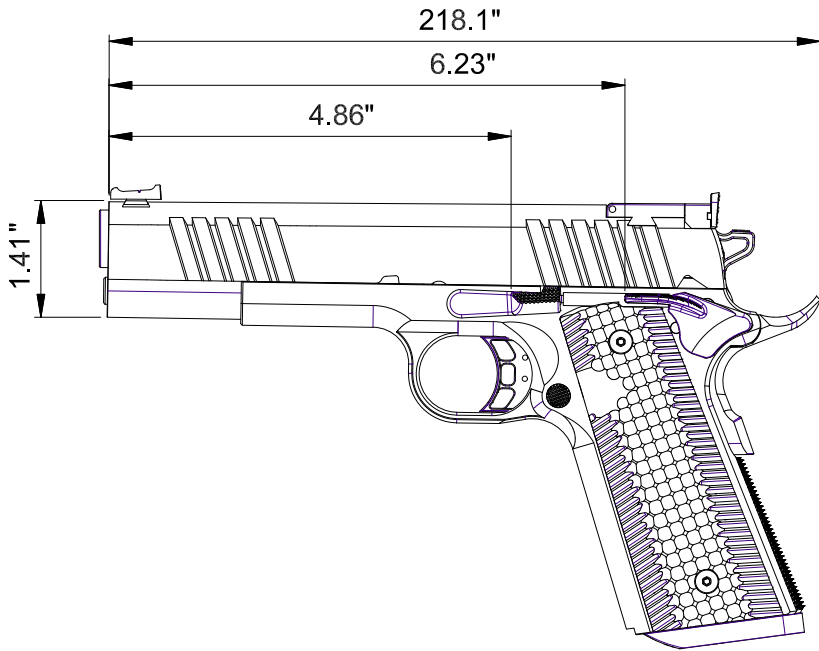
Please contact each company for specific questions in regards to fitment and pictures.

Links to all of the companies mentioned above:

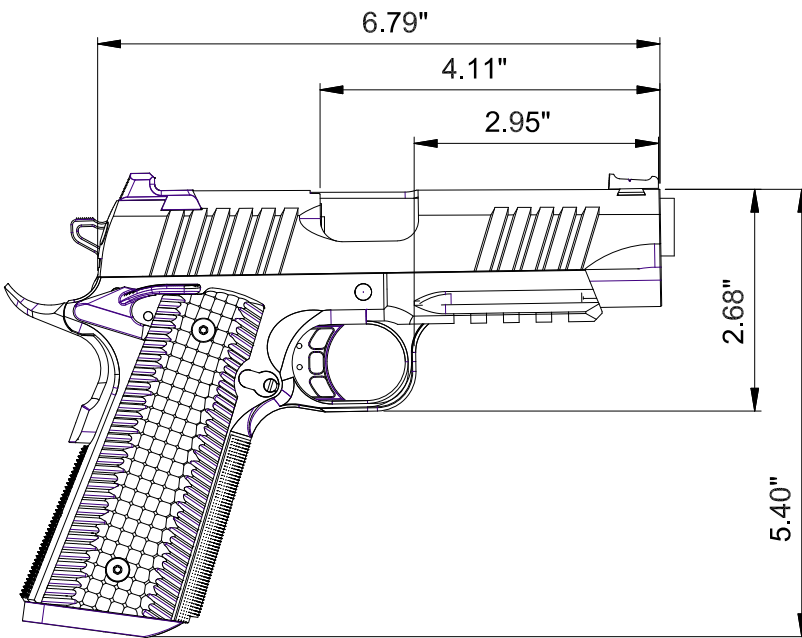
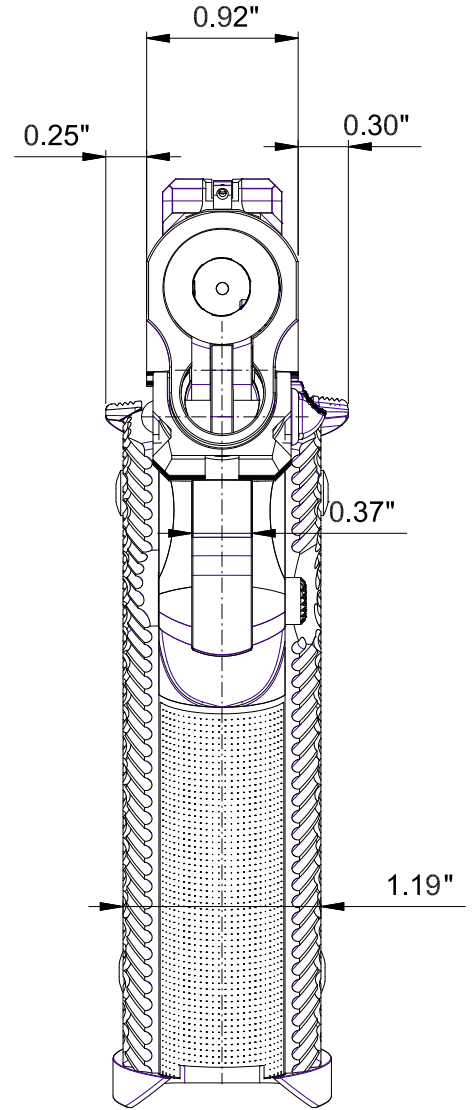
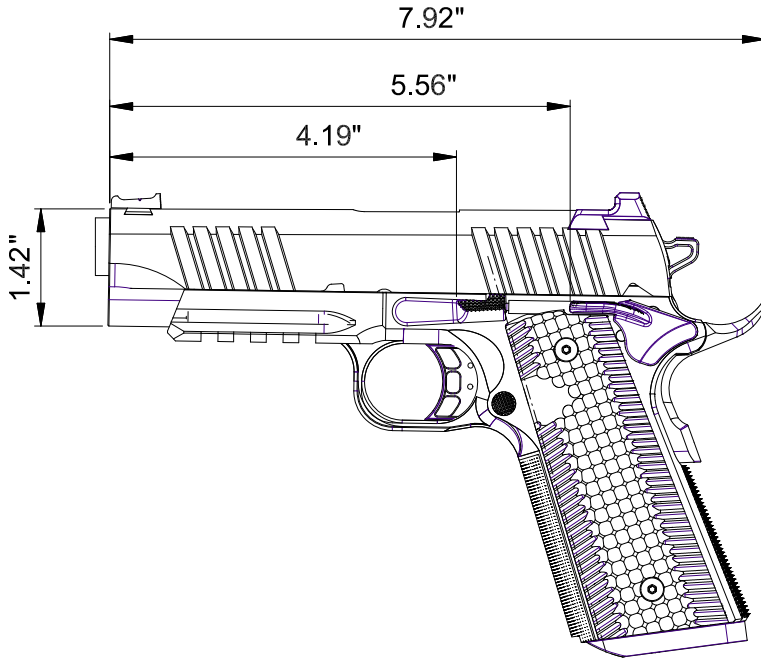
www.doublealpha.biz
www.crspeed.co.za
www.ghostholsterdirect.com
www.priority1holsters.com
www.tier1concealed.com
www.webertactical.com
www.qvotactical.com
www.deepconcealmentholsters.com
www.trholsters.com
www.facebook.com/twelvetwentyonedesigns
www.evergladesammo.com
www.tenicor.com
www.txcholsters.com
www.blade-tech.com
www.trex-arms.com
www.lasconcealment.com
www.safariland.com

Compatible with	Front sight	Rear sight	Dovetail Type
1911 Commander (2022) 1911 Government (2022) 1911 EDC 4.24" 1911 EDC 5"			Novak Style Dovetail Front & Rear
1911 Hunter 6" 1911 Trophy 1911 Racer 1911 Cesar SAS2 SL SAS2 SL AIR SAS2 SL SAW SAS2 Radical 5.4"			Standard Bul Dovetail Front & Rear
1911 Ultra			Standard Bul Ultra Dovetail Front & Rear
AXE C + FS Cleaver AXE C + FS Hatchet			Glock Style Dovetail Front & Rear
AXE C + FS Tomahawk			Glock Style Dovetail Front & Rear Optic Footprint: Trijicon RMR
SAS2 UL 3.25" SAS2 UL 3.25" Comp			Standard Bul Ultra Dovetail Front Optic Footprint: Shield RMSc
SAS2 TAC 4.25" SAS2 TAC 5" SAS2 TAC 4.25" Comp			Novak Style Dovetail Front Glock Style Dovetail Rear Optic Footprint: Trijicon RMR
SAS2 UR SAS2 UR-F SAS2 UR Shorty SAS2 Bullesteros	<p style="text-align: center;">N/A</p>		Optic Footprint: C-More RTS2

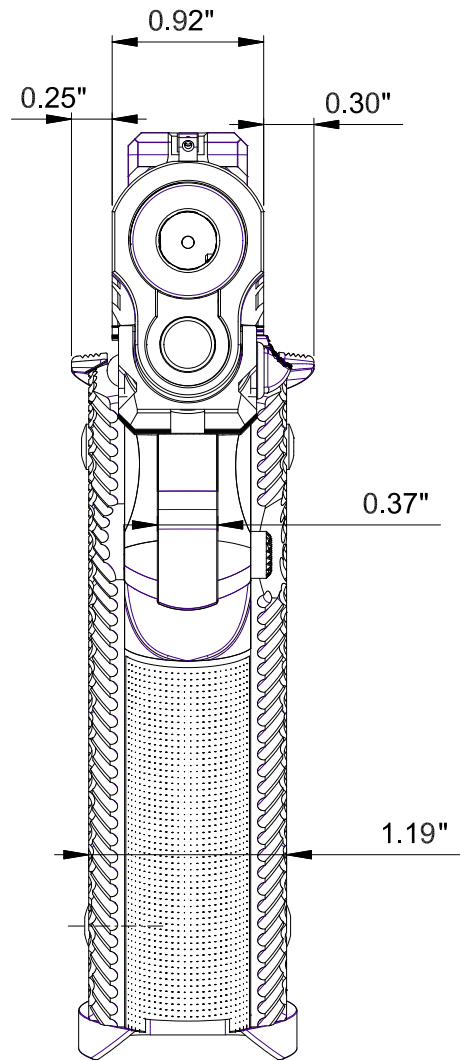
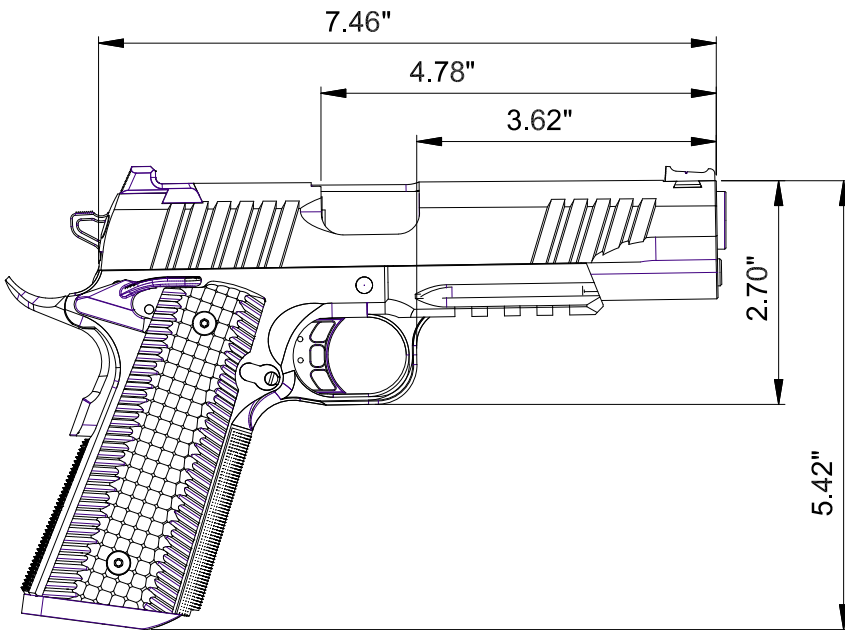
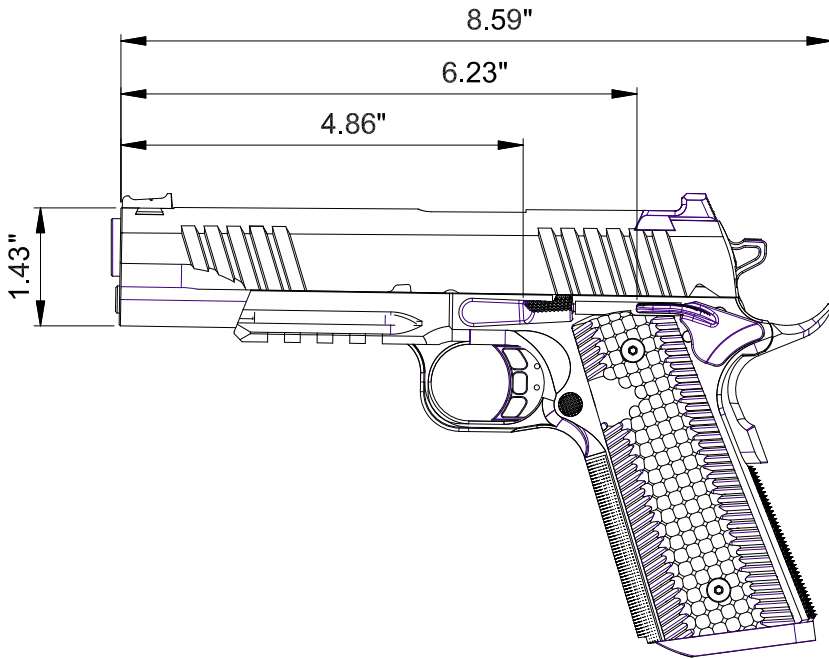
1911 TROPHY



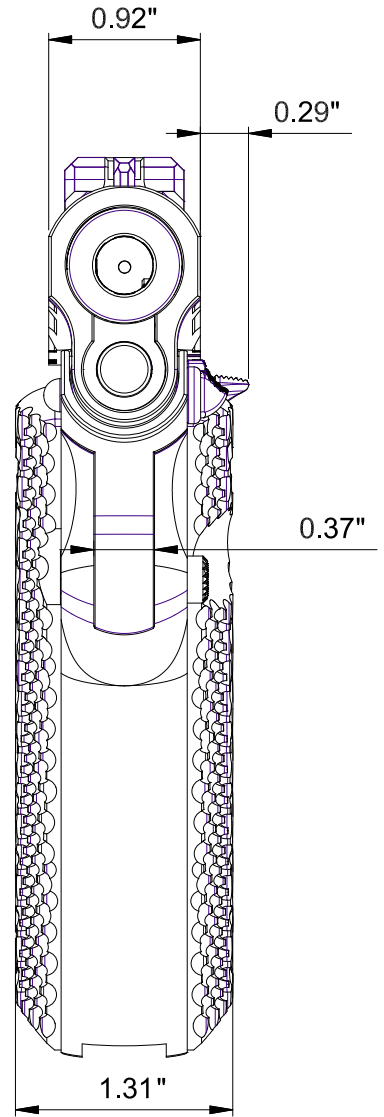
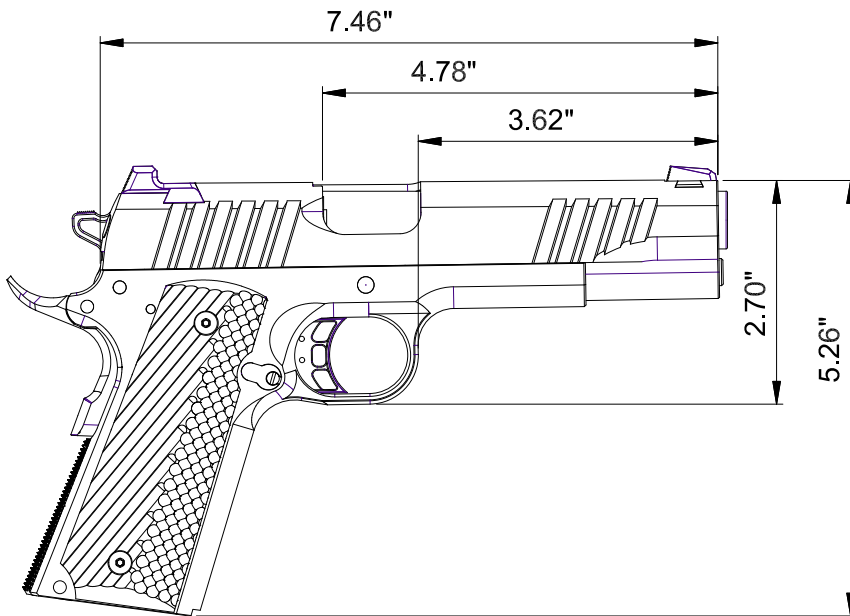
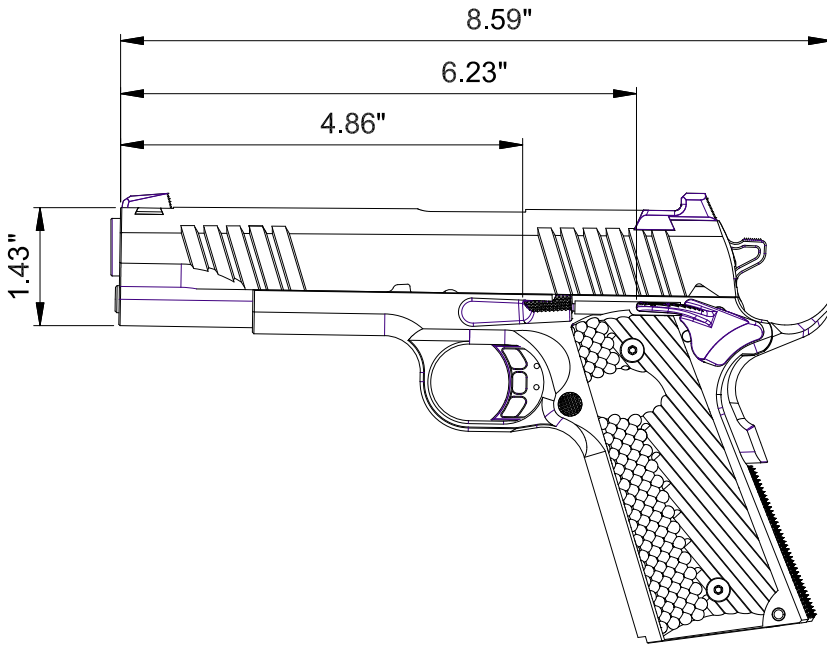
1911 EDC 4.25"



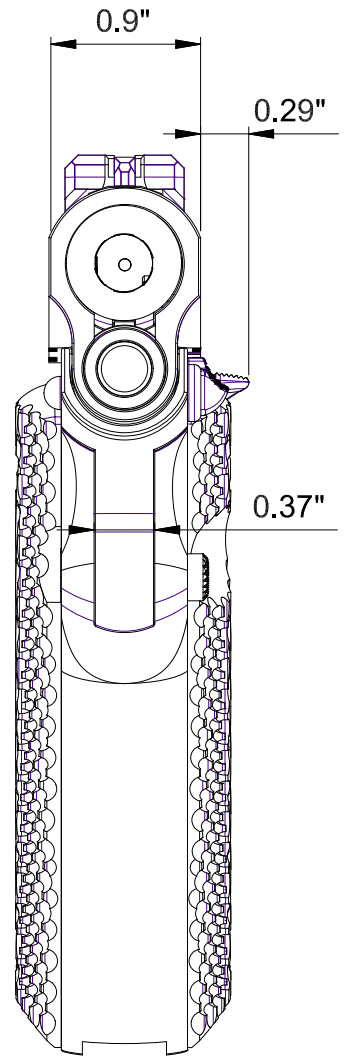
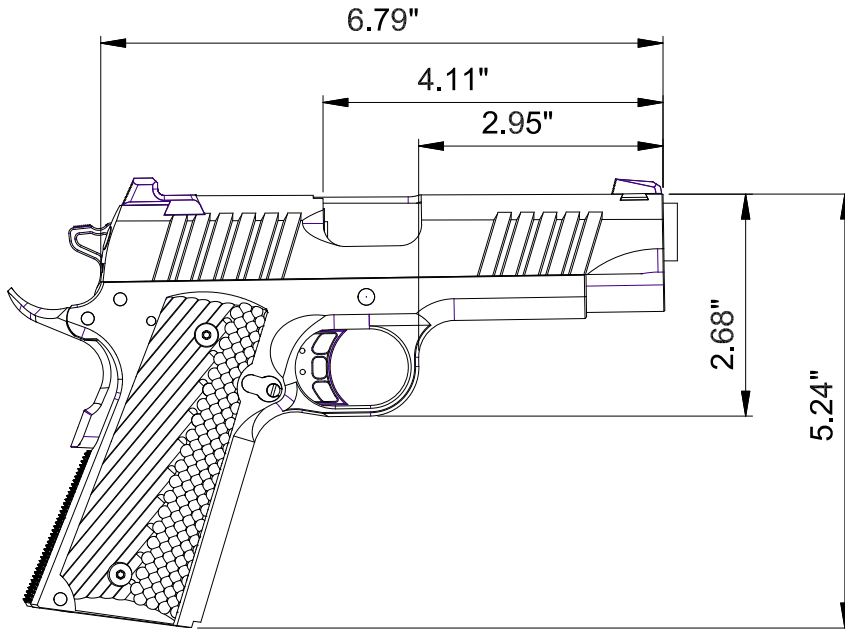
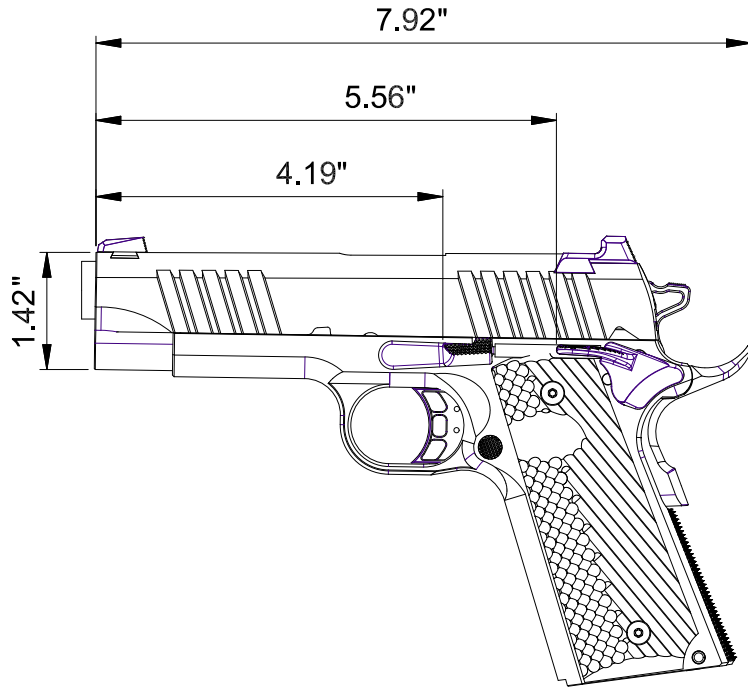
1911 EDC 5"



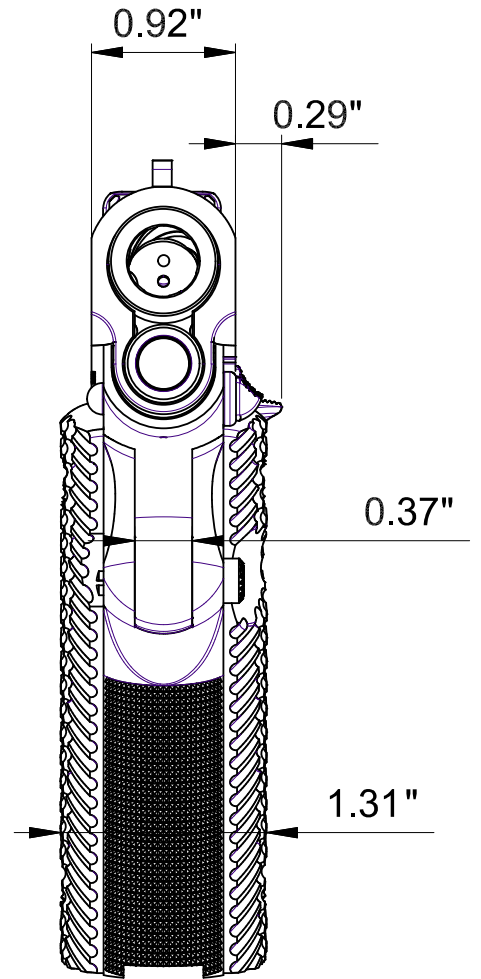
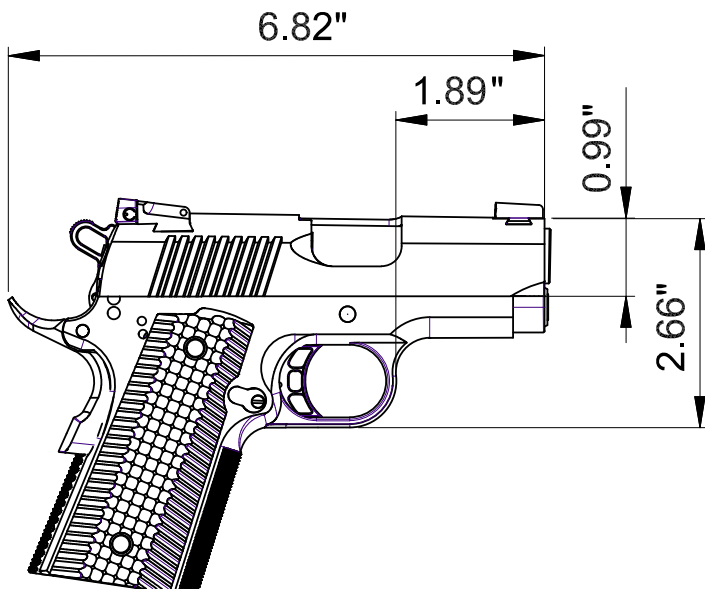
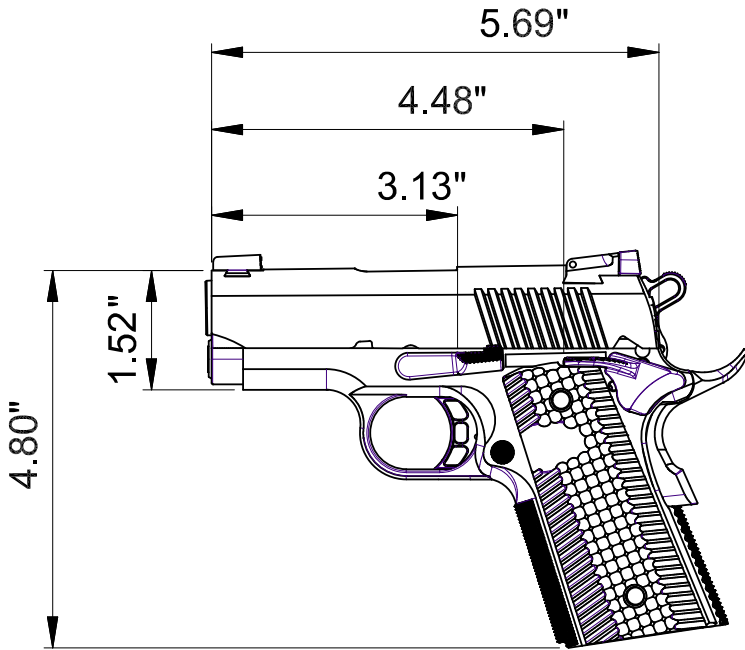
1911 GOVERNMENT



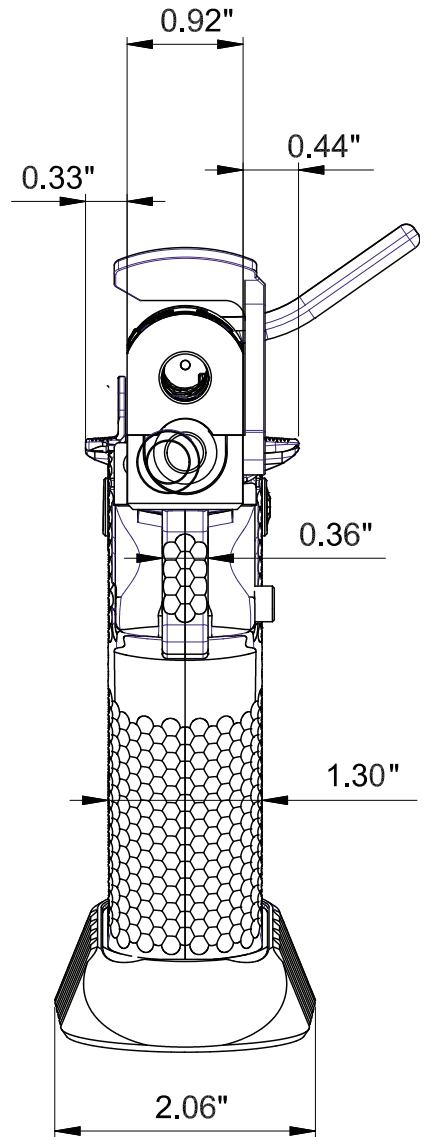
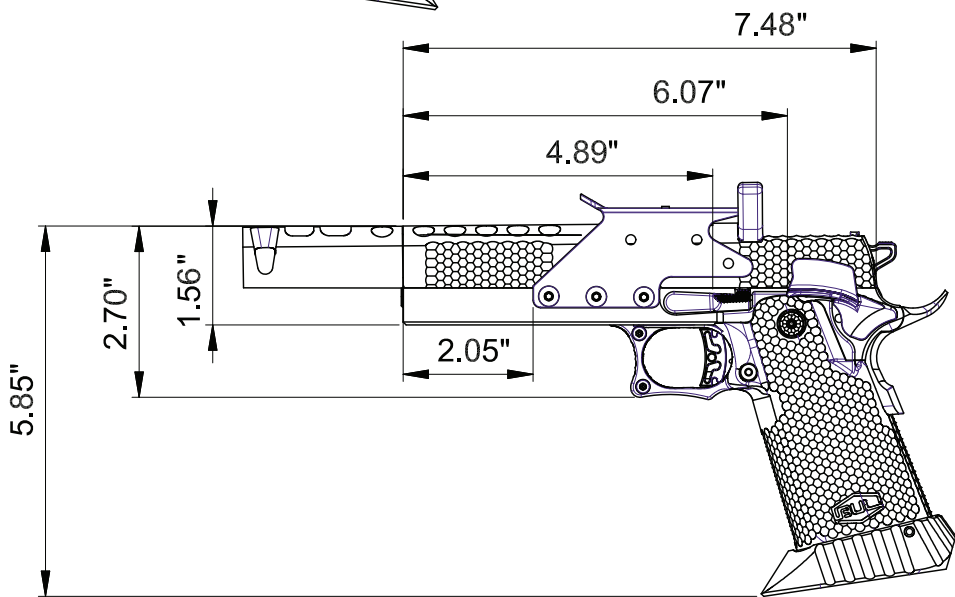
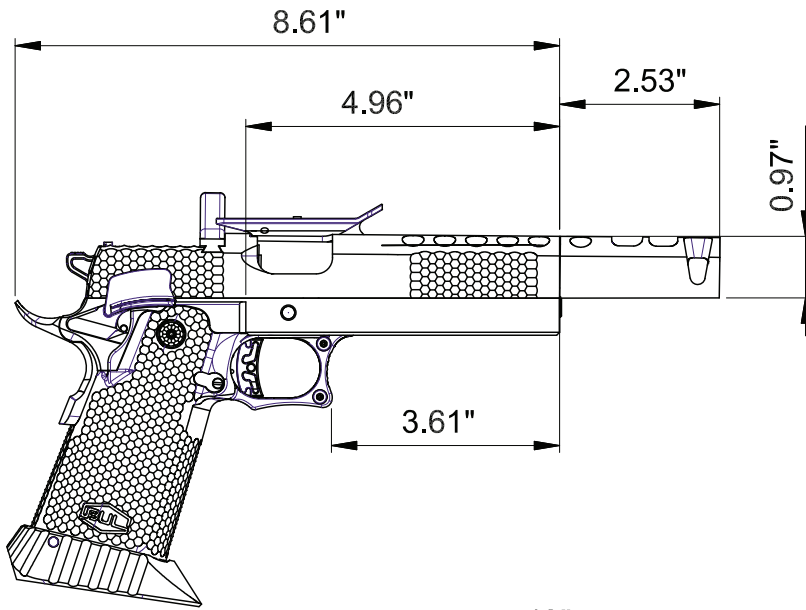
1911 COMMANDER



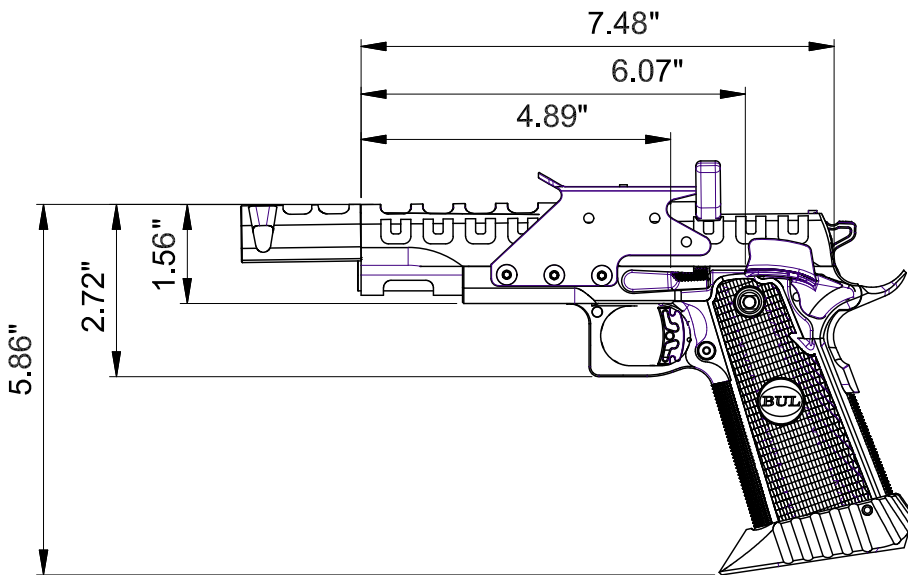
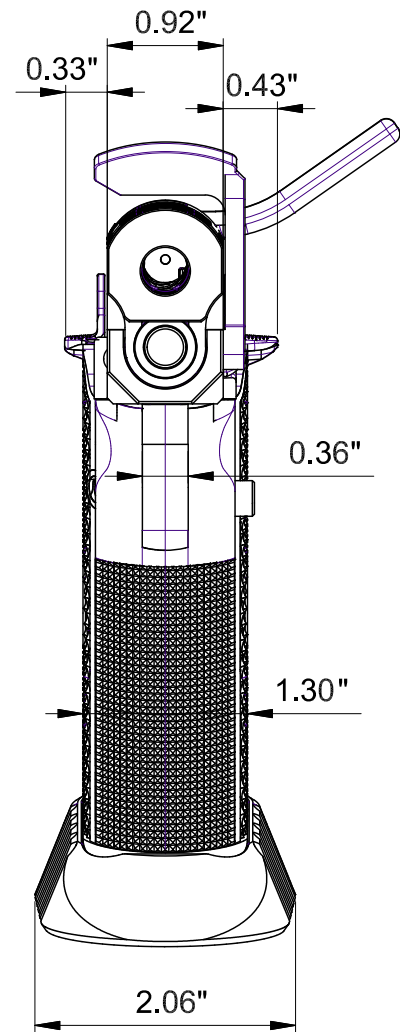
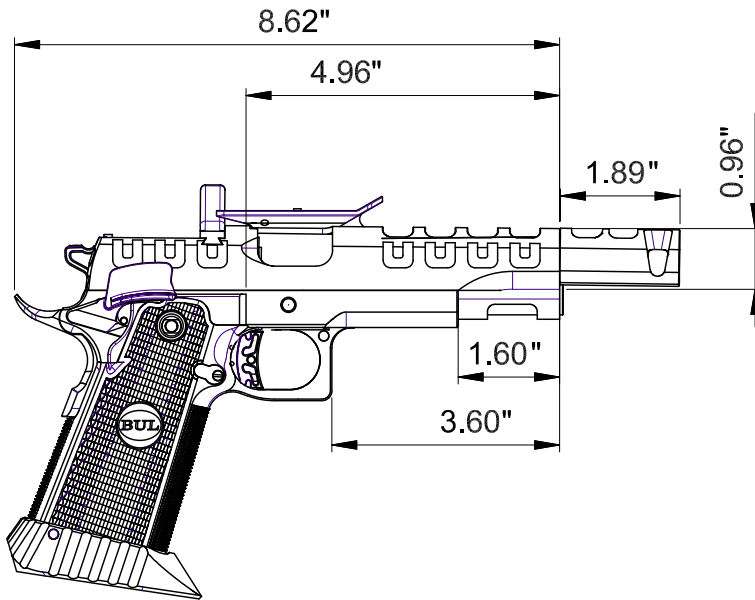
1911 ULTRA



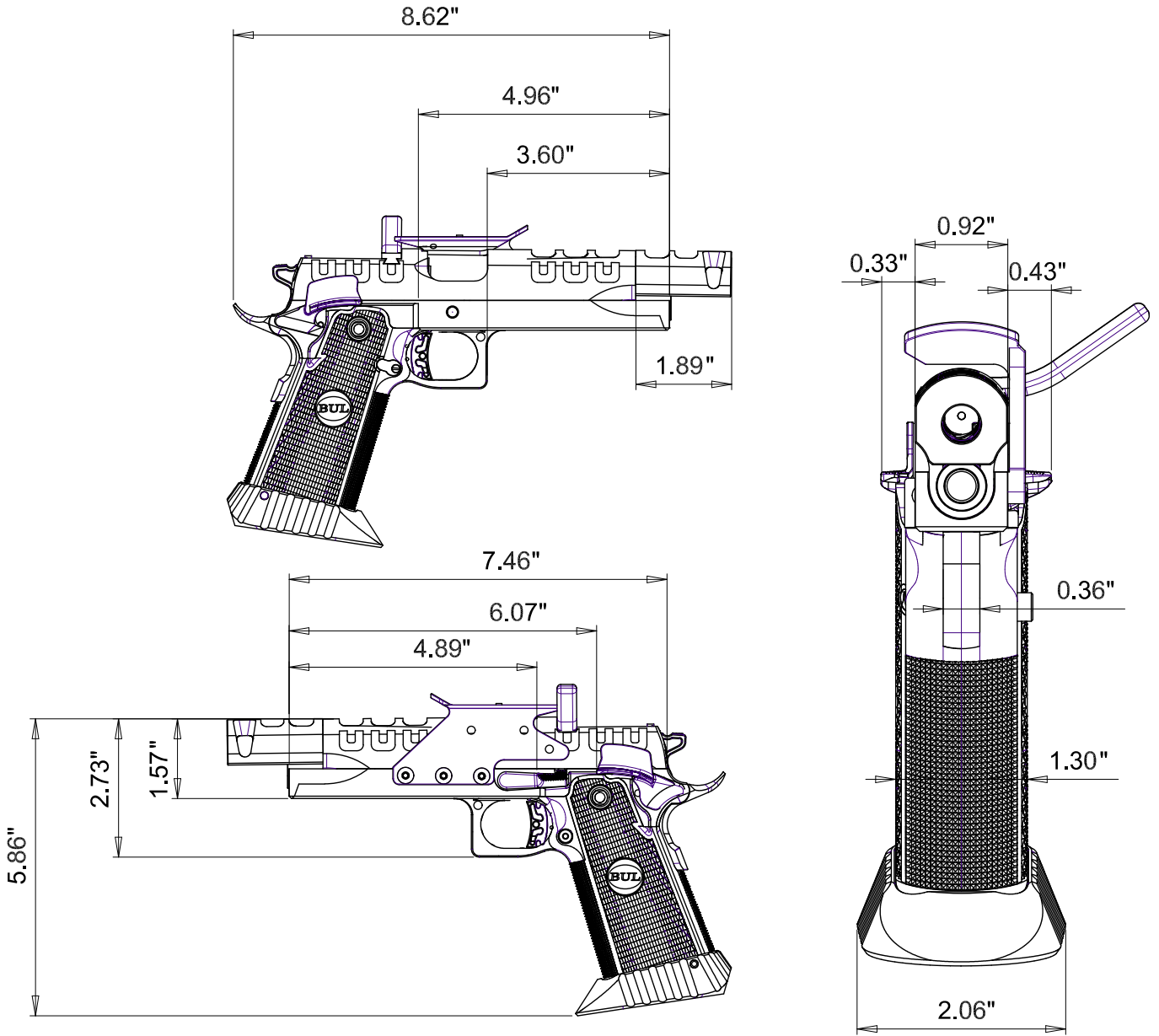
SAS2 BULLETEROS



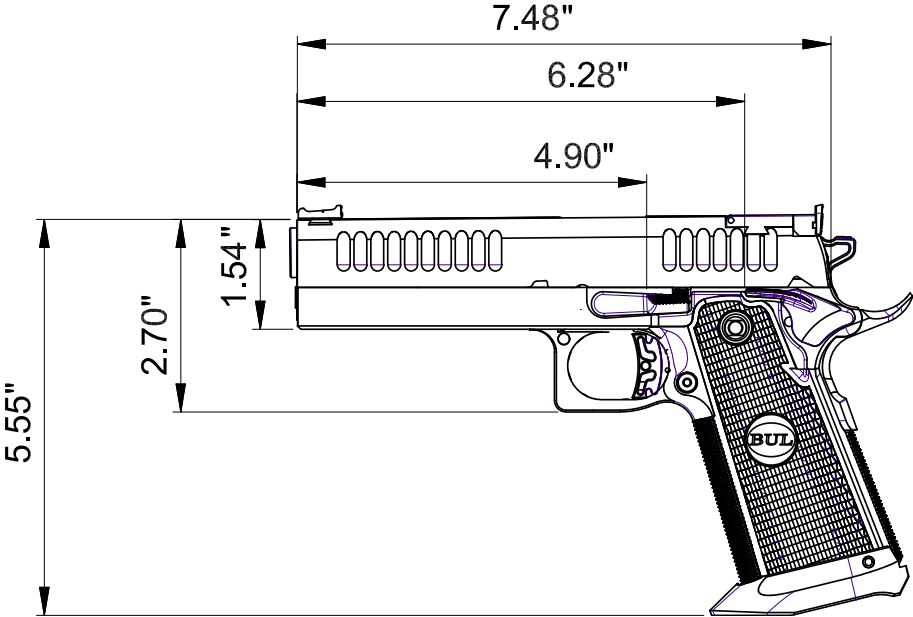
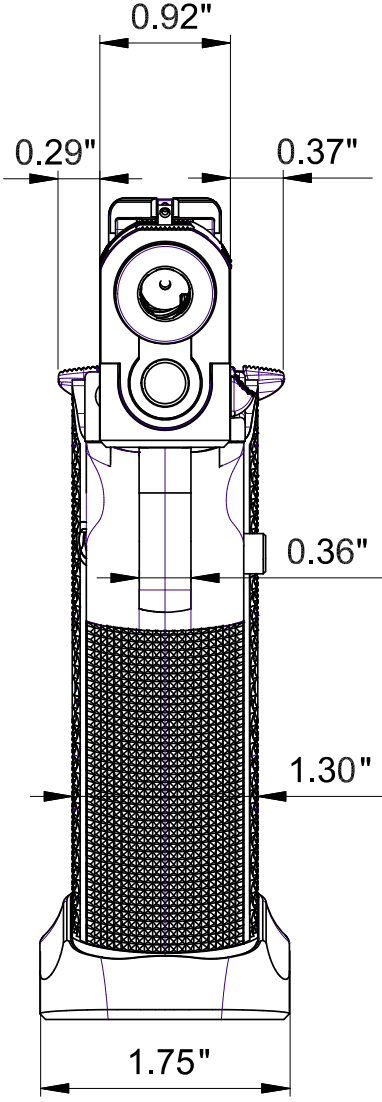
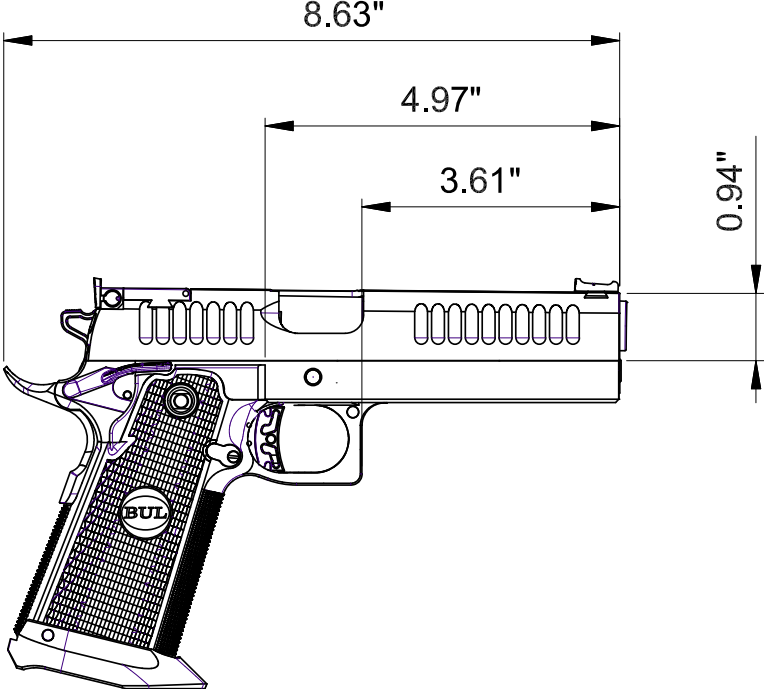
SAS2 UR



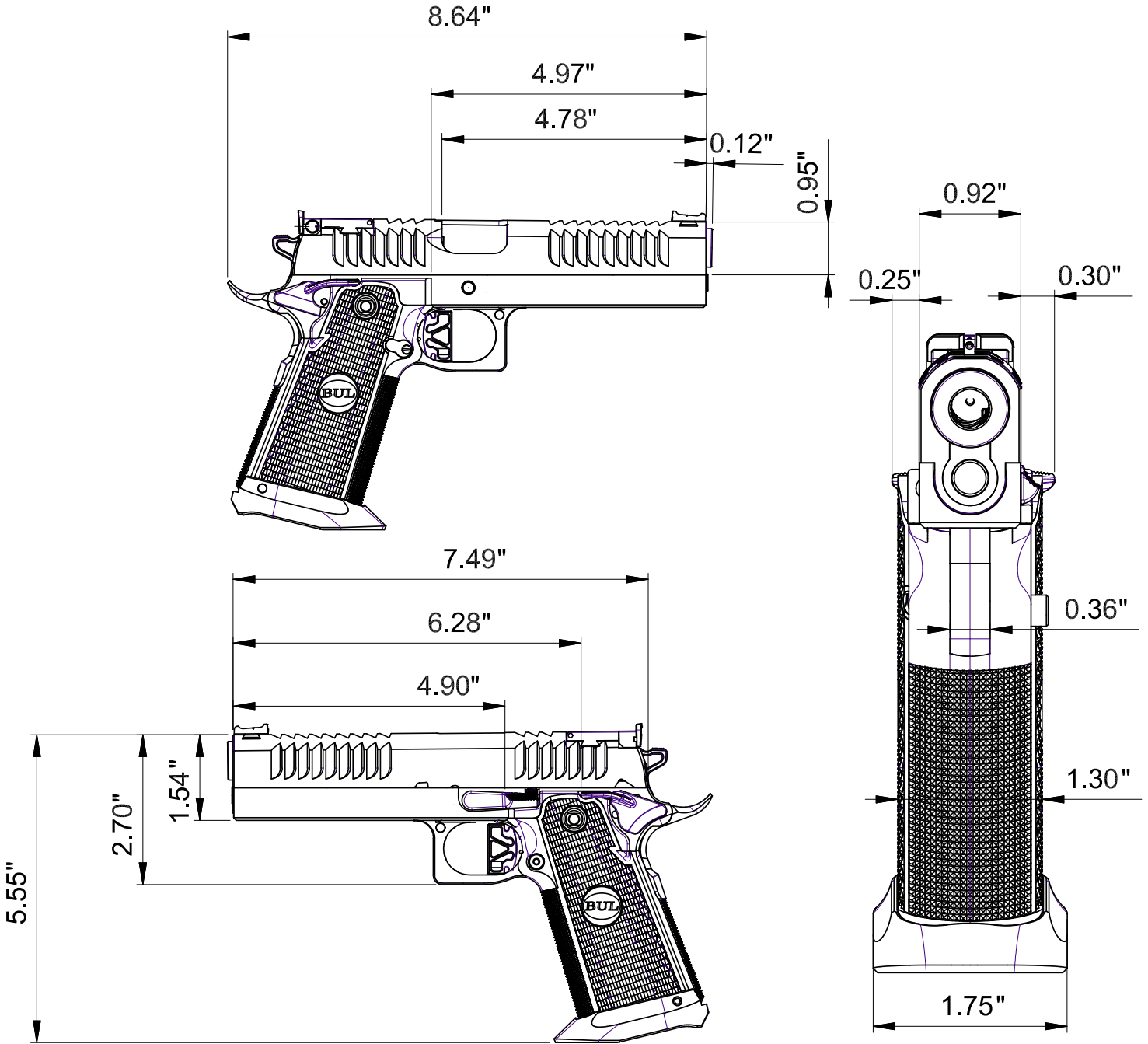
SAS2 UR-SHORTY



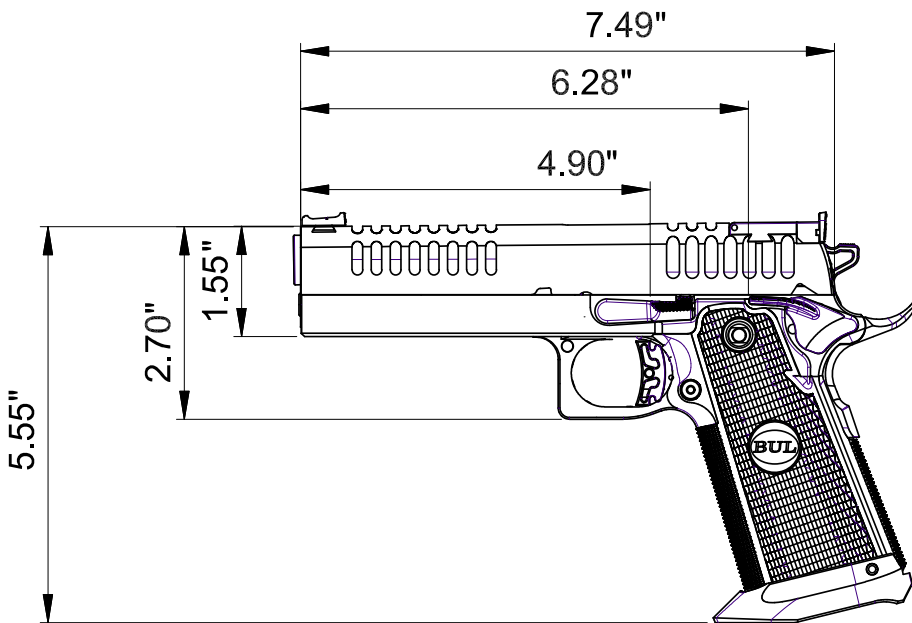
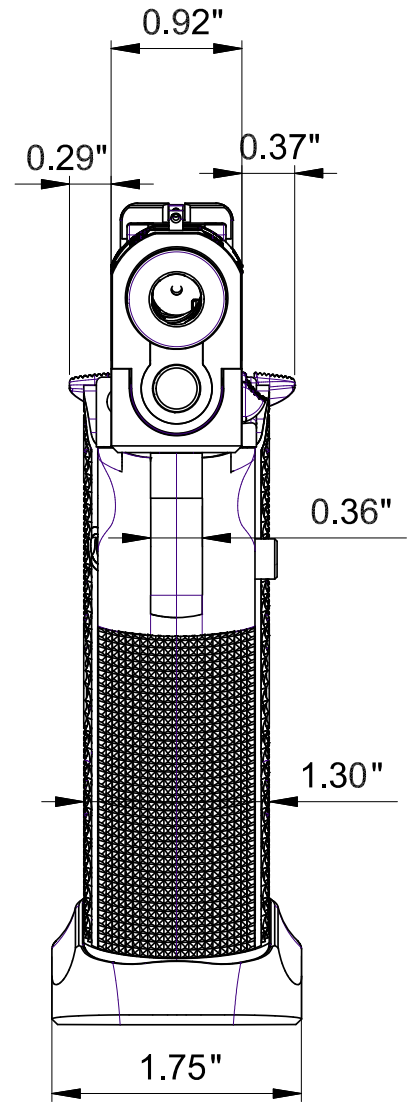
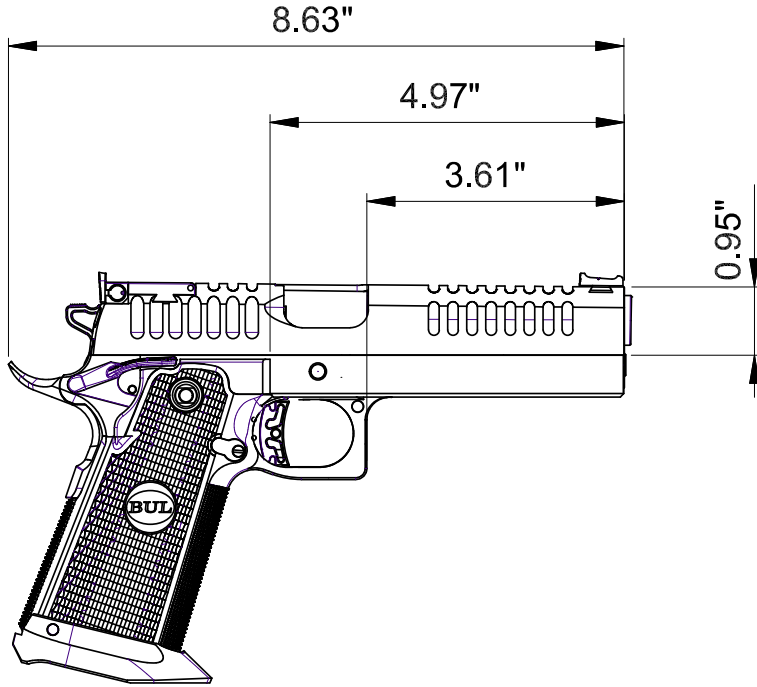
SAS2 SL



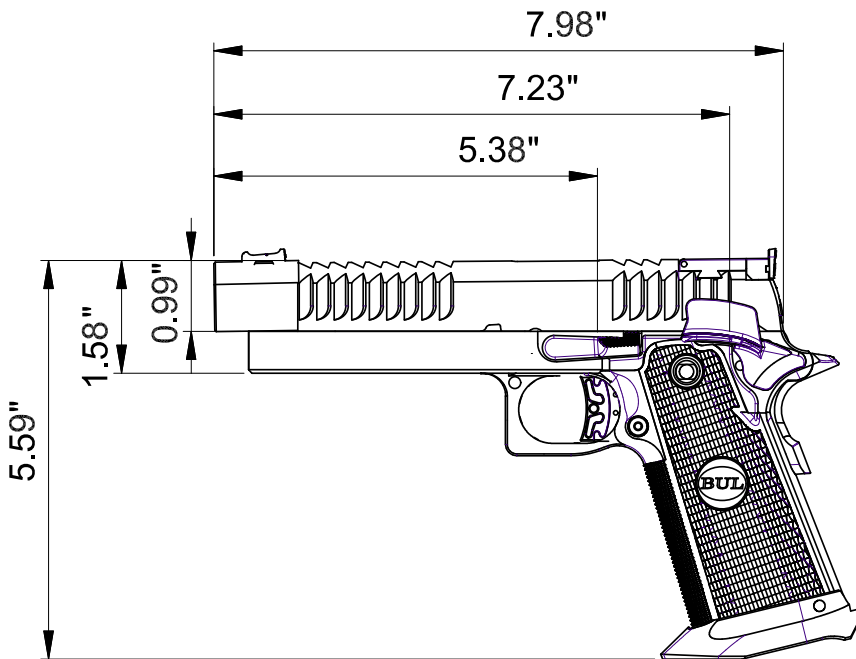
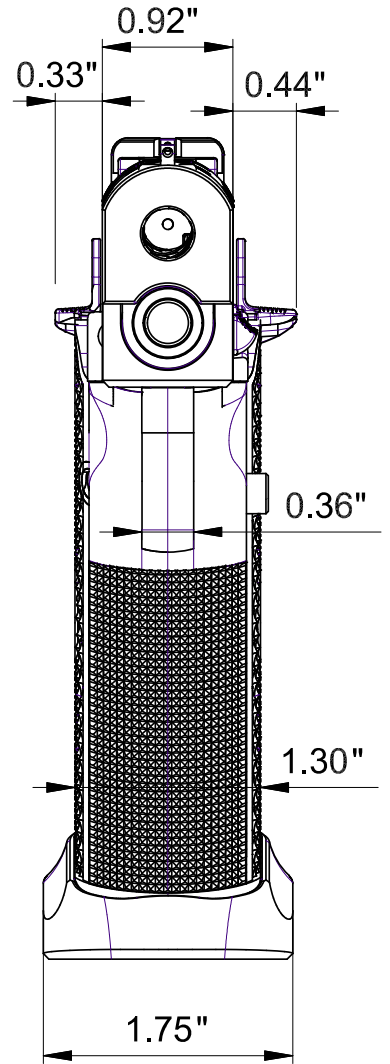
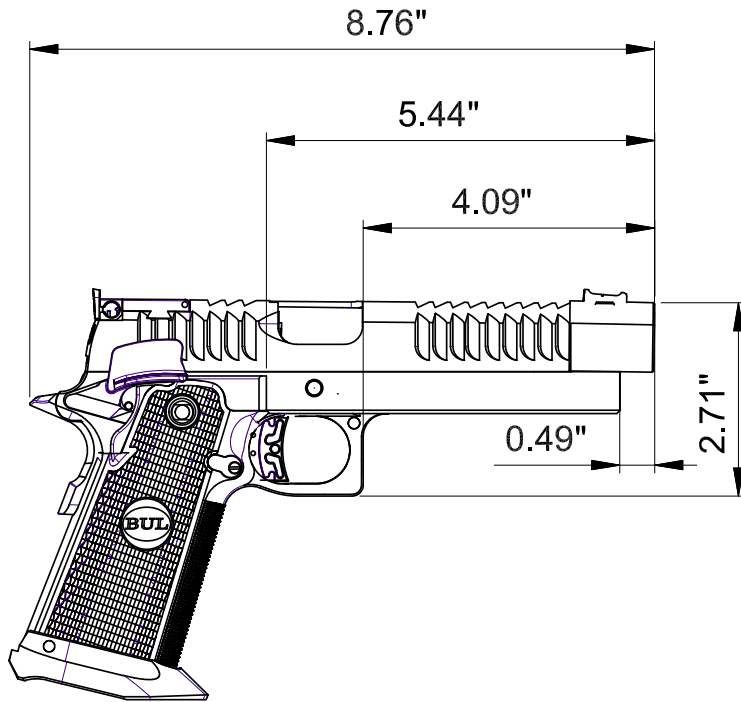
SAS2 SL-SAW



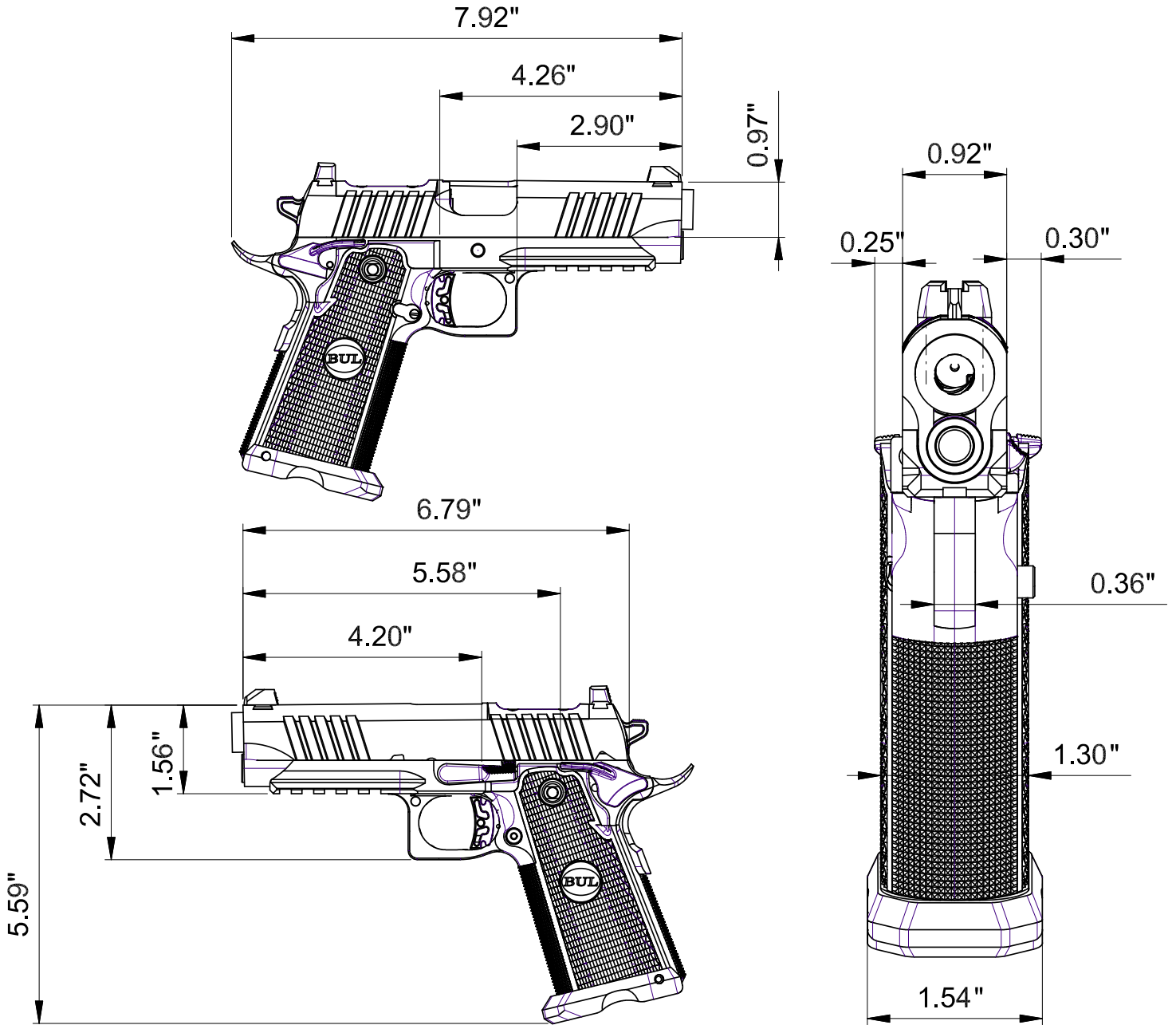
SAS2 SL-AIR



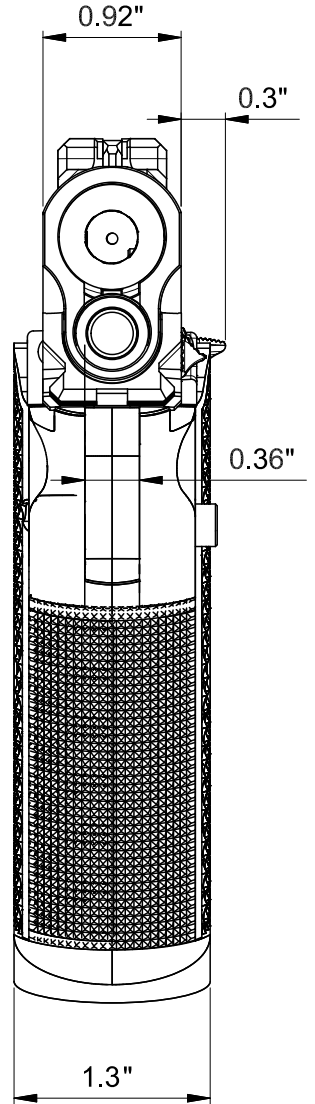
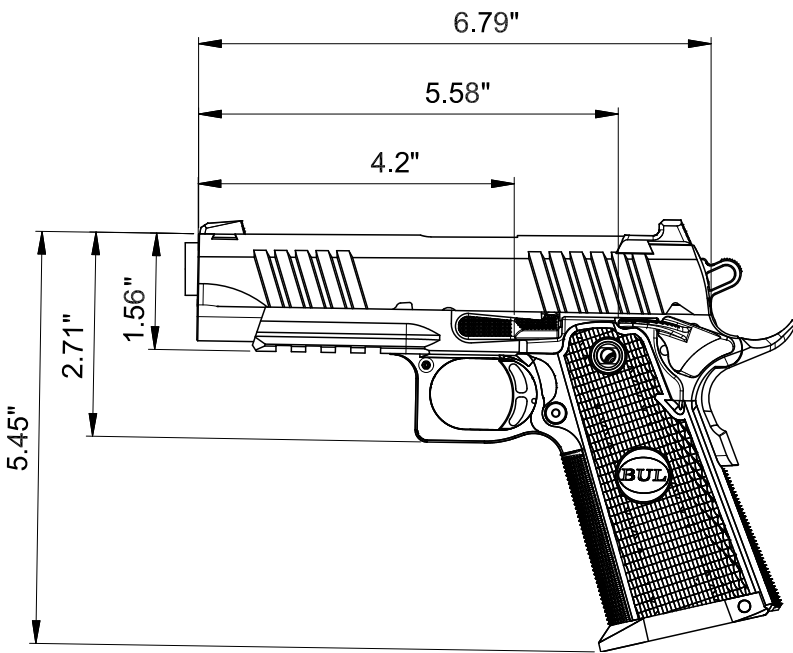
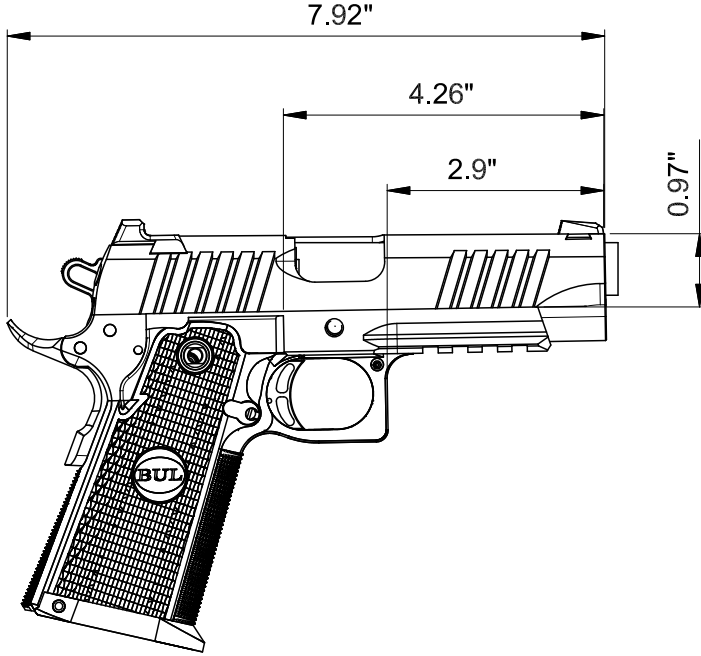
SAS2 RADICAL



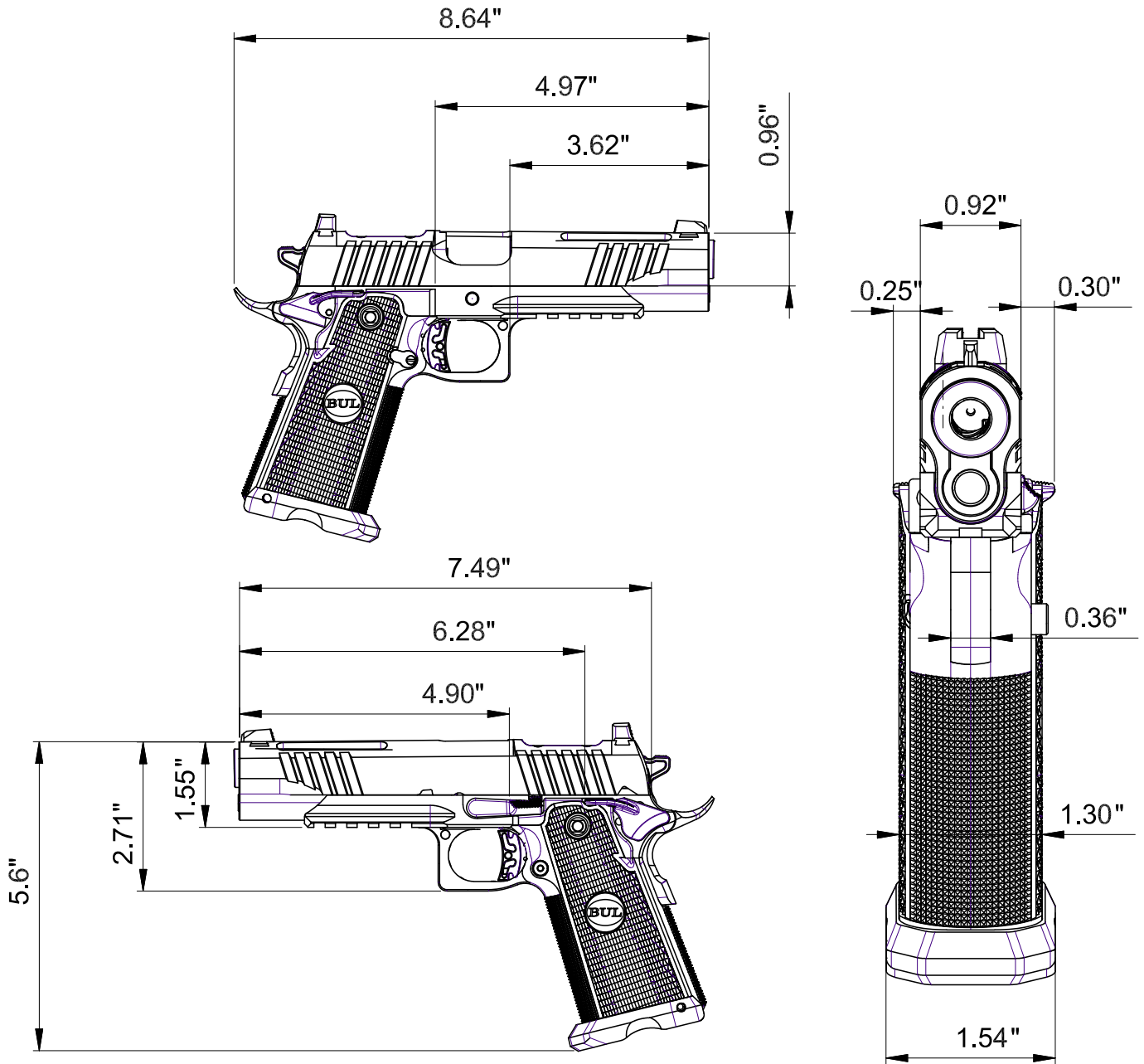
SAS2 TAC 4.25"



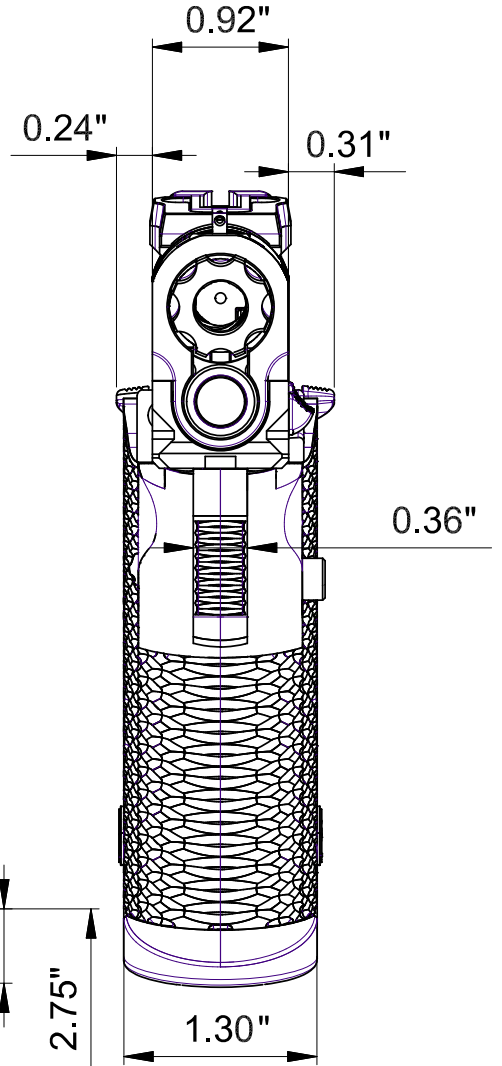
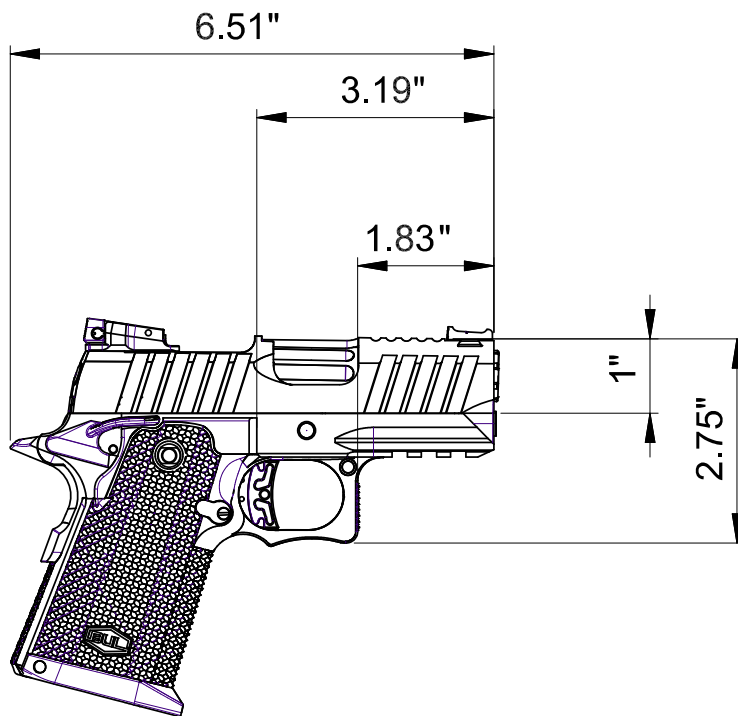
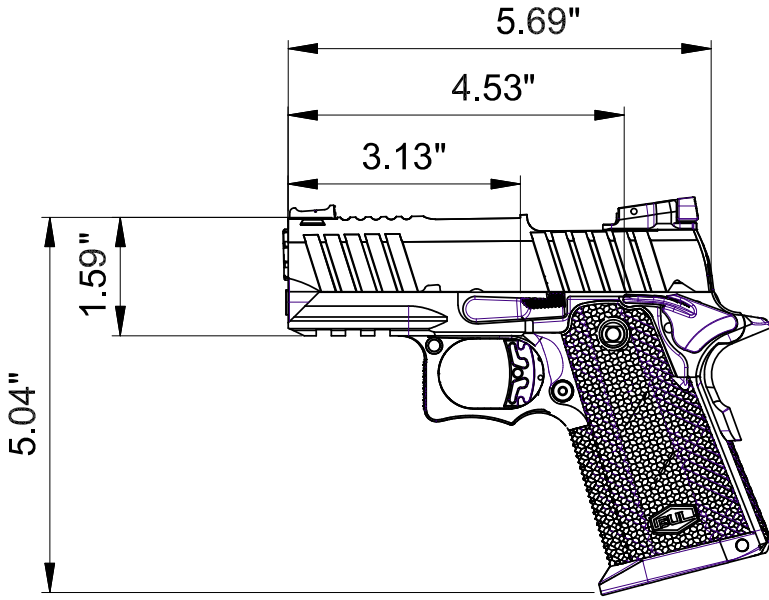
SAS2 TAC LIGHT 4.25"



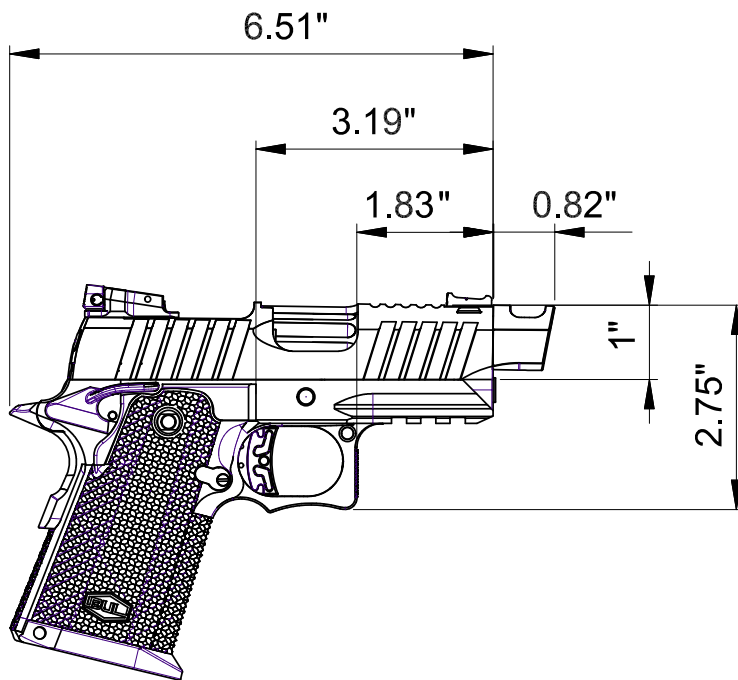
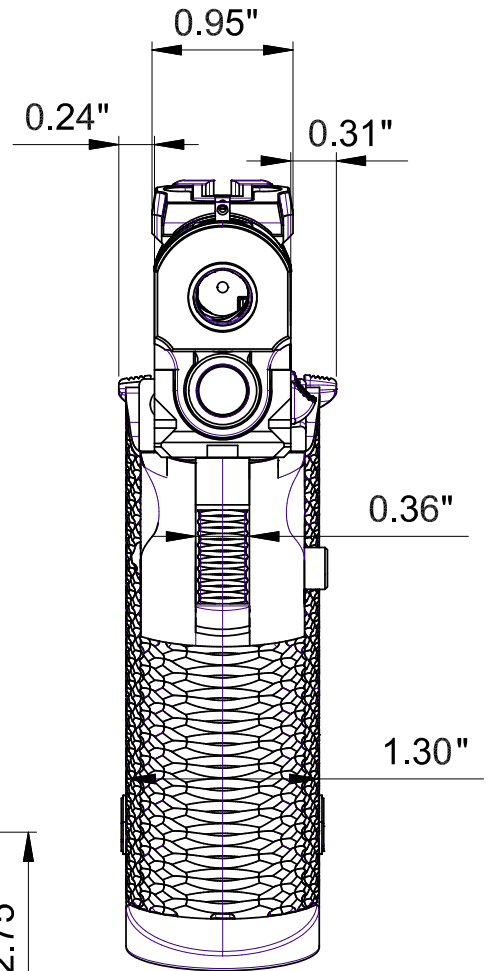
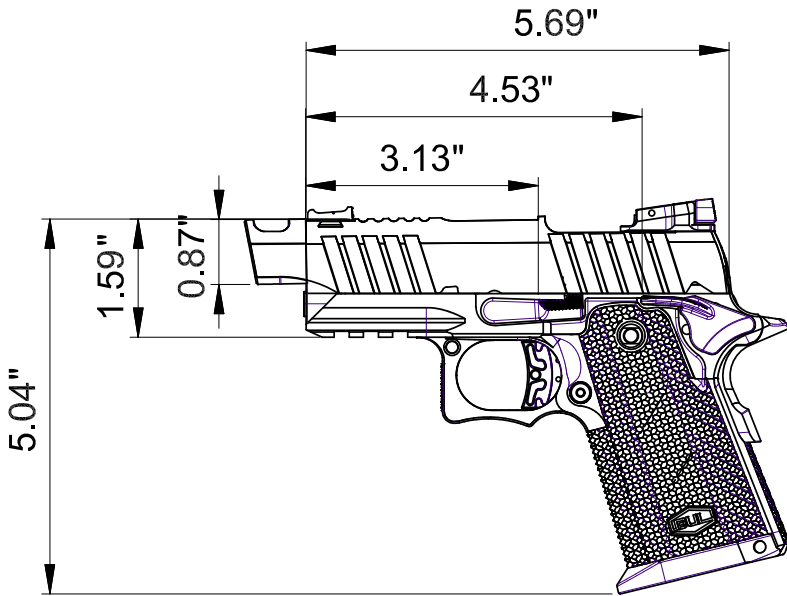
SAS2 TAC 5''



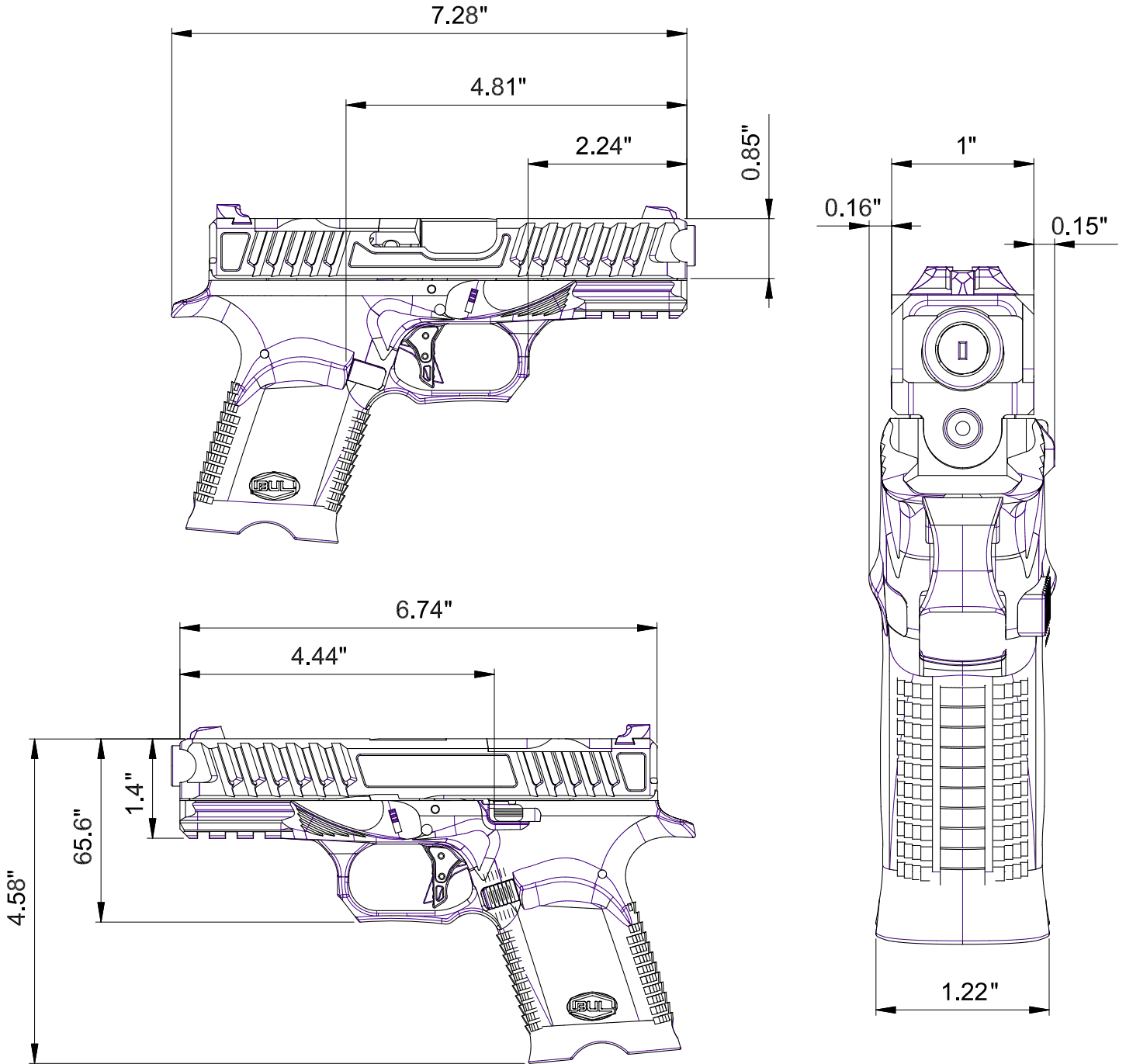
SAS2 ULTRALIGHT 3.25"



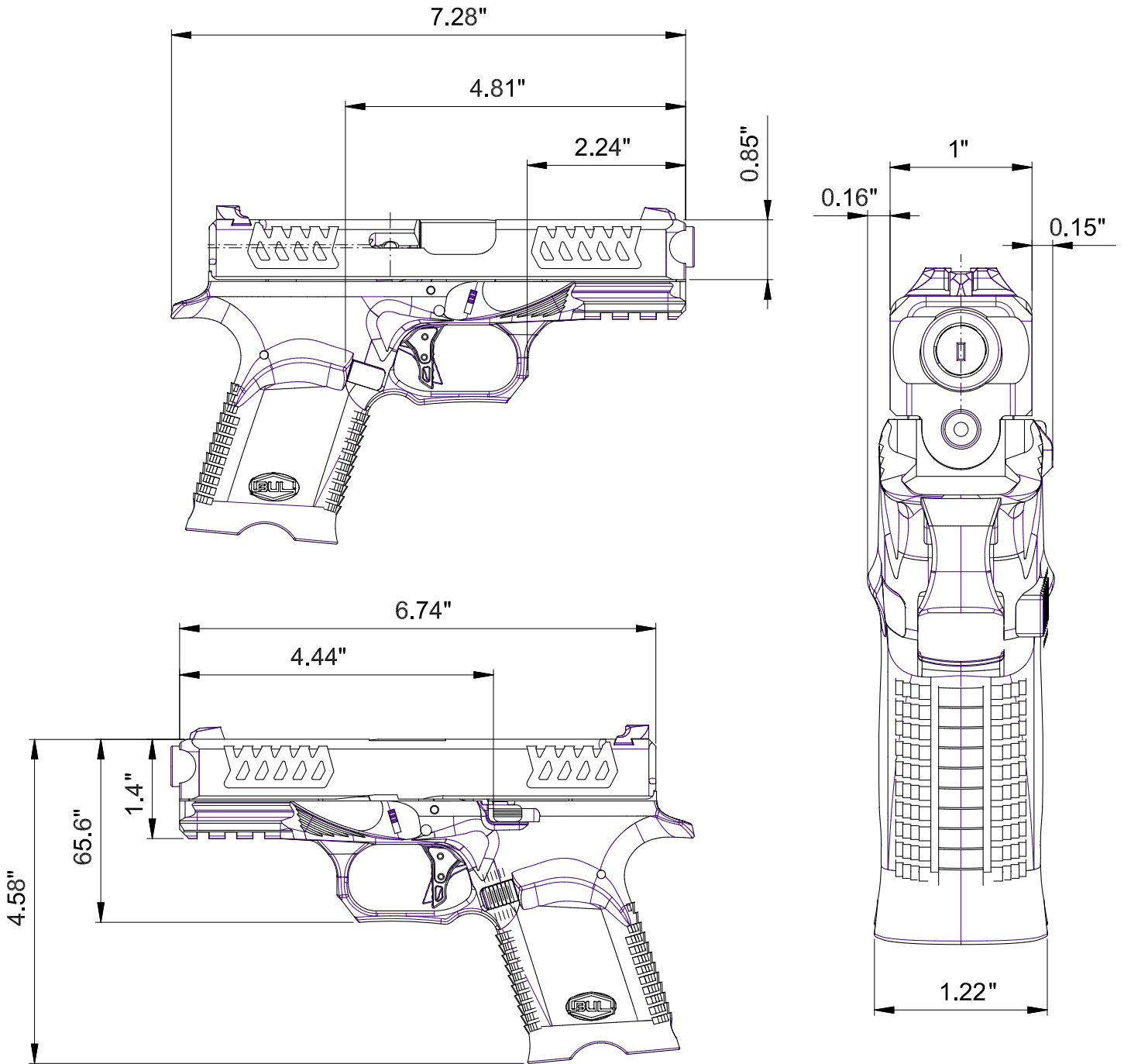
SAS2 ULTRALIGHT 3.25" COMP



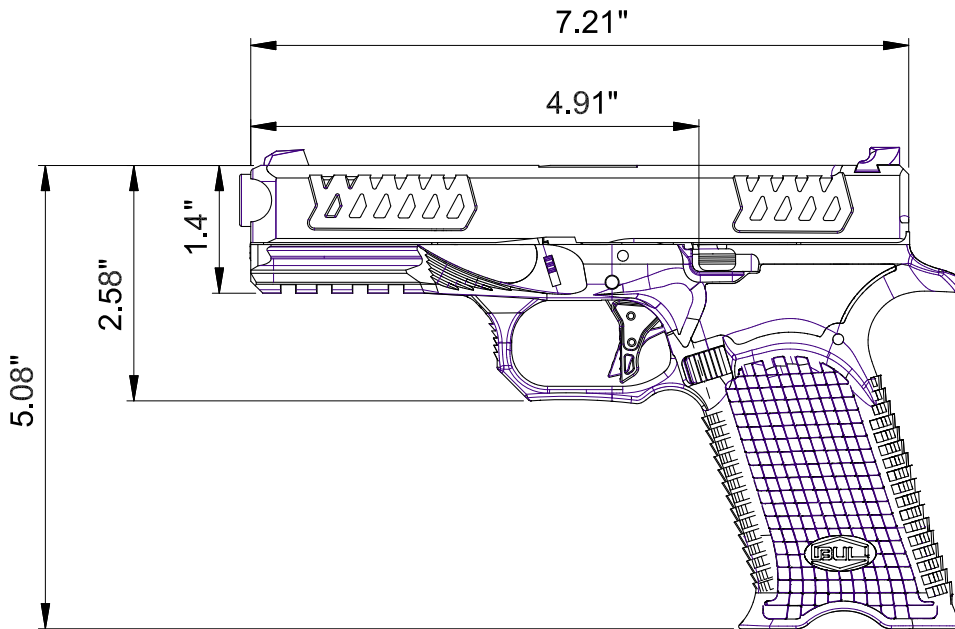
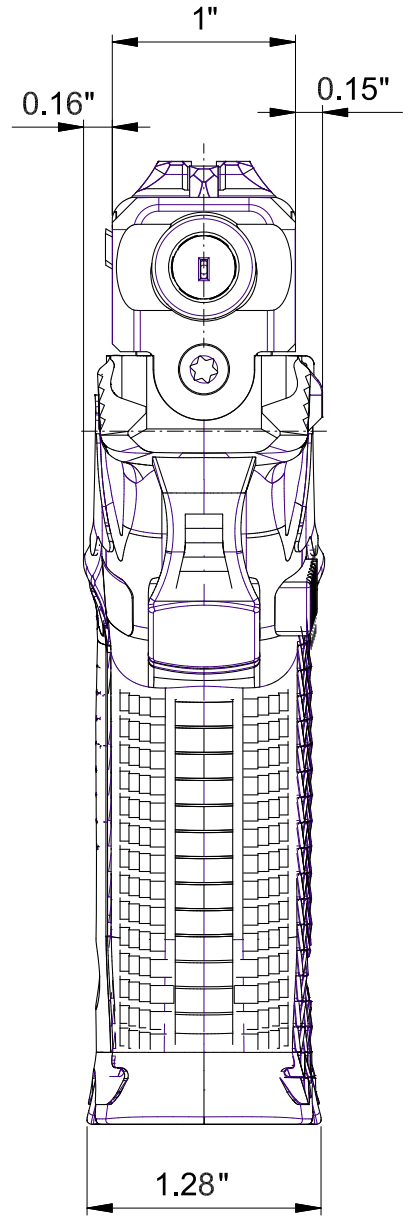
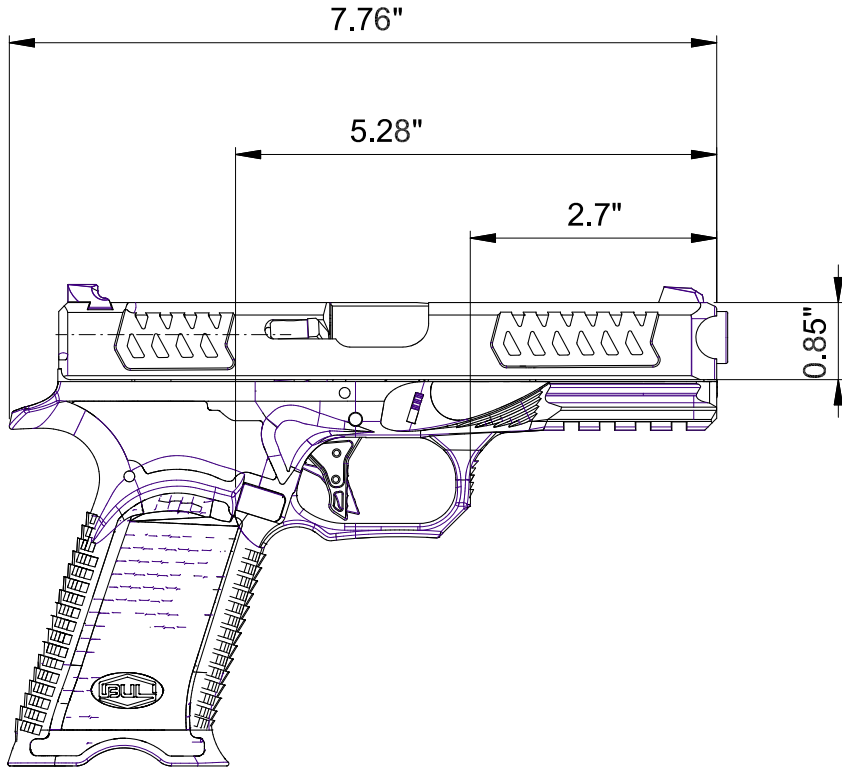
AXE C TOMAHAWK



AXE C CLEAVER



AXE FS CLEAVER



AXE FS TOMAHAWK

